

Problems**Possible Cause / Solution**

Recorder not working or stopped working

- Unplug the power connector wait 30 seconds then plug it back in. make sure the connector is plugged in securely. Be sure to observe the LED GREEN light turns ON.
- Be sure MX9008 or MX9017 card is inserted all the way down into it's slot securely. The cut out on that card must be toward the right see the picture in page 1
- Check audio cord; try re-inserting it again, adjust the volume on your PC, make sure it is not muted, make sure you can hear the audio from your speakers.

Audio quality is poor

- Verify that the audio cord is plugged in securely, Make sure the audio volume on your PC is not too loud, for best results keep the volume levels to about 75% - this device works fine at any audio level from 25% to 100%

Cannot start the recording

- Make sure you can hear the audio from your speakers . this device needs to hear the audio to start recording. Try the Manual recording- see page 3

Warranty

This product is warranted against defects for a period of Three (3) years from the date of original invoice. We will repair/replace the product with no charge for parts or labor within this time. To obtain warranty service the product needs to be returned freight prepaid by the customer with a copy of original invoice. This warranty does not apply if in the sole opinion of Innovative Telecommunication Technology, the product has been tampered with or damaged by lightning or any other acts of nature, misuse, neglect or unauthorized service.

EXCEPT AS SPECIFICALLY PROVIDED IN THIS AGREEMENT, THERE ARE NO OTHER WARRANTIES, EXPRESSED OR OTHERWISE, INCLUDING, BUT NOT LIMITED TO ANY IMPLIED WARRANTIES OR MERCHANTABILITY OR FITNESS FOR A SPECIAL PURPOSE. IN NO EVENT SHALL INNOVATIVE TELECOMMUNICATION TECHNOLOGY (INVOTEL) BE LIABLE FOR LOSS OF PROFITS OR BENEFITS, INDIRECT, SPECIAL, CONSEQUENTIAL OR OTHERWISE ARISING FROM ANY BREACH OF THIS WARRANTY OR OTHERWISE.

invotel[®]

1112 Montana Ave Suite 250 Santa Monica, CA 90403 USA
Toll-Free: 800-747-0708 Tel: 310-899-0078 Fax: 310-899-0227 <http://www.invotel.com>

P4

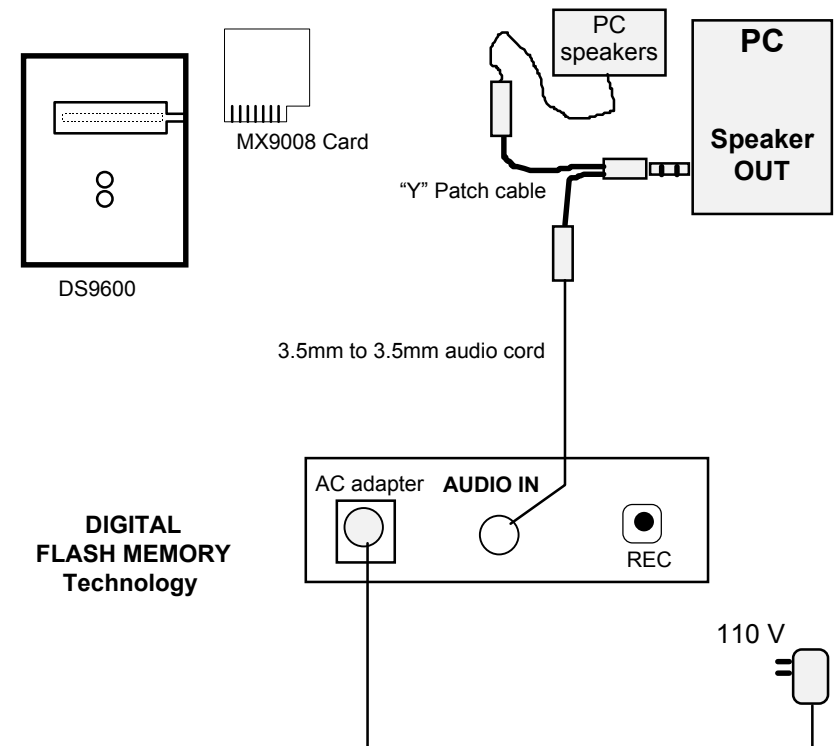


User Manual

Invotel DS9600 Rev 01

Digital Audio System Recorder

- Plug the included AC adapter. (110V AC to 9-12V)
- Connect your PC speaker out jack to "Y" patch cable, then connect your speakers(if any) to one port of "y" audio patch cord and the DS9600 "Audio IN" jack to the other port of "y" patch cable using the provided 6 feet audio cord.
- Insert the MX9008 or MX9017 Flash Card into the slot as shown (be sure to insert the card all the way down into the blue connector)
- LED Green light turns ON to indicate device is ready to record



Automatic “audio-active”™ recording:

Just start playing your audio, the DS9600 automatically starts recording and the RED LED turns ON.

Wait until GREEN LED turns ON before removing the Flash card.
(it takes about 15 seconds after audio has stopped till GREEN turns back ON)

When GREEN LED is back ON remove the Flash card and insert it into the SX9600 player in your phone room for an immediate play back.

Advanced Features:

Automatic recording: DS9600 is audio activated, recording starts when audio starts.
DS9600E is code activated, recording starts when audio code is played 1st then audio content is recorded.

Automatic stop: Recording is stopped 15 seconds after audio stops.

Automatic ON/OFF: Unit turns OFF when Flash card removed, Turns ON when Flash card is inserted.

Dual Tracking: DS9600 series can record dual tracks. Just space the 2nd Production 10 to 12 seconds after 1st production.

Package Content:

DS9600 Digital Recorder unit
Power adapter 110v AC to 9-12V AC/DC 100-600 ma
3.5mm male to 3.5mm male audio cord 6' long
“Y” patch audio cord 6” long
User’s Manual

MX9008, MX9017 Flash cards “True Audio Card”

The MX9008 or MX9017 card is a Flash card that holds the audio all the time even if power is removed.

If you had any problem remove the power by un plugging the AC adapter from the unit, Insert the Flash card, then apply the power.

Unlike other Flash based cards that compress the audio, voice and audio signals are recorded directly into solid state memory in the MX9008, MX9017 cards in their natural, un-compressed form, providing superior quality voice and music reproduction. MX9008, MX9017 cards have 100 -year retention time at zero power and can be re-recorded 100,000 times.

Manual recording:

If you have the DS9600R model, you can manually control the recordings:

Press REC button before starting the audio, the LED lights start to Blink ON/OFF for up to 30 seconds, start your audio within this time and recording will start & RED LED turns ON solid.

When your audio stops you may press the REC button to stop the recording or wait until Green LED turns back ON - now you may remove the Flash card.

Automatic E-Mail recording:

This feature is only available on DS9600E- please refer to your Email/CD Auto Load codes to add the code to beginning of the production.

DS9600E is code activated, recording starts when audio code is played 1st then audio content is recorded.

Specifications:

File Formats supports any sound file format and any PC such as Windows .wav, MP3, WMA, MAC, etc.

Frequency response 20Hz to 20 KHz.

Sampling rate 8-bit/16-bit uncompressed PCM @ 8, 11, 12, 16, 22, 24, 32, 44 & 48 KHz (direct internal A to D 16 bit 8KHZ)

Distortion less than 0.1% THD

Audio Quality supports better than CD Quality at 188 KB/s

Special effects: supports Windows Media Files and SRS WOW Effects

Memory Capacity MX9008 upto 16 minutes (8 minutes 40 seconds @ full 188 KB/s sample rate). MX9017 upto 34 minutes (17 minutes @ full 188 KB/s)

Memory Type Multi-level Flash, 100 years retention time at no power, 100K re-recordable

Message loading: card load (MX9008 or MX9017)

Recording: Automatic, manual push button or audio code

Power supply: 110VAC 60 Hz. To 9-12 VAC or DC 100-600ma

Size: DS9600 3 x 2” x 1” (L x W x H)

Size (MX9008, MX9017): 1.5” x 1.5” x 0.2” (L x W x H)

Color: Black

Weight: 0.2 pounds (1/2 pounds with power supply)