

Problems

Possible Cause / Solution

Player not working or stopped working

- Unplug the power, remove the SD card or remove USB flash drive, wait 30 seconds, re-insert the USB/SD card and make sure it is fully in, re-connect the power securely., observe the LED is turning ON solid
- Some low capacity SD cards are not compatible, in that case RED LED turns ON but the player does not play, use the provided SD card or try another correct type SD card and try formatting it.

Cannot Transfer files to USB/ SD card

- If you use Windows 98 SE, ensure to use it's USB driver is installed properly in your system.
- Ensure the SD card is in fully, ensure USB adapter is connected securely to your PC USB port, try another USB port directly, Ensure to observe that the Status LED turns ON solid on the USB adapter. Make sure SD card is not locked.

Audio Volume is too low

- Verify that the audio cord is plugged in securely,
- Turn the Volume control clock wise
- Use the 8 ohm output jack instead of the 600 ohm jack.

Specifications:

File Formats: MP3, WMA, MAC, etc.

Frequency response: 20Hz to 20 KHz. less than 0.1% THD

Sampling rate: >64kbps Mono ,128kbps recommended

PC Interface: USB 2.0 Hi-Speed(MSC) compatible with USB 1.0

Memory Capacity : SD card 32MB to 8GB (up to 128 hours on 4GB SD card)

Output Power: 10 watts maximum, Volume control

Power supply: 110VAC/240VAC 50-60 Hz. To 12-24 VDC1000 ma

Size: 9 " x 5.25 " x 1.5" (L x W x H)

Color: Black **Weight:** (1.7 pounds with power supply)

Warranty

This product is warranted against defects for a period of Five (5) years from the date of original invoice. We will repair/replace the product with no charge for parts or labor during this period. To obtain warranty service the product needs to be returned freight prepaid by the customer with a copy of original invoice. This warranty does not apply if in the sole opinion of Innovative Telecommunication Technology LLC, the product has been tampered with or damaged by lightning or any other acts of nature, misuse, neglect or unauthorized service.

EXCEPT AS SPECIFICALLY PROVIDED IN THIS AGREEMENT, THERE ARE NO OTHER WARRANTIES, EXPRESSED OR OTHERWISE, INCLUDING, BUT NOT LIMITED TO ANY IMPLIED WARRANTIES OR MERCHANTABILITY OR FITNESS FOR A SPECIAL PURPOSE. IN NO EVENT SHALL INNOVATIVE TELECOMMUNICATION TECHNOLOGY LLC (INVOTEL) BE LIABLE FOR LOSS OF PROFITS OR BENEFITS, INDIRECT, SPECIAL, CONSEQUENTIAL OR OTHERWISE ARISING FROM ANY BREACH OF THIS WARRANTY OR OTHERWISE.

Audiolmage™

1112 Montana Ave Suite 250 Santa Monica, CA 90403 USA

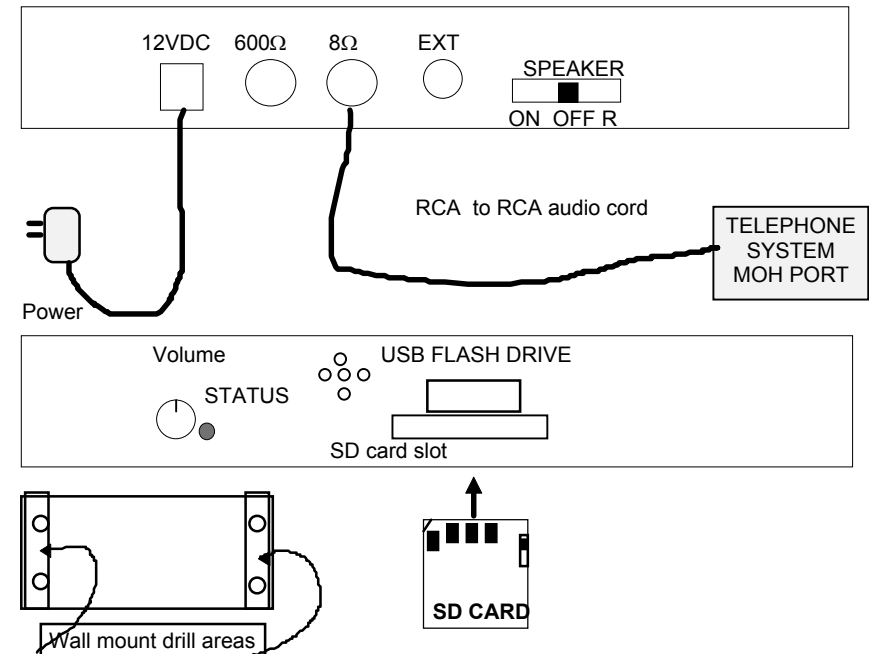
Tel: 310-899-0078 Fax: 310-857-6401 <http://www.invotel.com>



User Manual
SX8800-P Rev 05

Professional USB /SD Digital Player

- Install the player near the phone system MOH jack, you may use the wall mount area provided to drill extra holes if needed.
- Connect the 8 Ω OUTPUT jack to your phone system MOH jack using the provided RCA to RCA cord (on some MOH ports you may need to connect to 600 Ω OUTPUT jack)
- Insert the USB flash drive into the player (or the SD card and make sure it is in fully)
- Connect the power jack to the AC adapter as shown
- Adjust volume level up (clockwise) or down as needed
- You may turn the speaker ON to test the playback -then turn it OFF



Package Content:

SX8800-P MP3 Digital Player unit
Secure Digital (SD card) 32MB or higher or USB Flash drive
Power adapter 110v/ 240v AC to 12V DC 200-1000 ma
USB to SD card adapter to update the SD card via PC (with SD card units)
RCA to RCA audio cord to connect to MOH port
User's Manual

Connecting to a Computer:

Remove the USB flash drive or SD card and insert it into an "SD card slot" normally found on most PC or laptops (use the USB adapter with AD card in case the PC has USB port only)
This will be detected as "Removable Disk", when you open "My Computer" or "Windows Explorer"

Transferring files into USB flash drive or SD card:

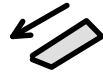
Select the file you want to transfer and drag-and-drop it into the "Removable Disk" that represents this device (right click on the file, copy, move the mouse to the "Removable Disk", right click there and paste)

The player will play all the .mp3 files one by one before it auto repeats from the 1st file. You may silence the .mp3 files you do not want to play by renaming them to "file.ip3" or just keep one .mp3 file in the SD card, i.e. move or delete the extra files you do not want to play from the drive. After the file is transferred allow 15 seconds for it to finish before removing the USB flash drive or SD card.

If you have a new USB flash drive or SD card with new production in it, simply "press in" the old SD card so it snaps out or remove the USB flash drive, insert the new Drive or SD card and make sure it snaps in, the playback automatically starts within 15 seconds.

Disconnecting from Computer:

⇒ Double click on the green arrow in the Taskbar located on the lower -right side of the computer screen (Safely Remove Hardware)



⇒ Select "USB Mass Storage Device" from the list that appears then click "Stop" then press "OK"

⇒ When the "Safe to Remove Hardware" appears click OK and disconnect the USB Flash drive or remove the SD card.

To test the audio: Turn the speaker ON
the provided speaker can be used to hear the audio playback any time,

OUTPUT:

SX8800P has 2 output connectors, 8 Ω, 600 Ω. Use the 600 ohm output in phone systems where a "hi-impedance" output works better.

INPUT (EXT)

SX8800-P has a input jack to accept audio from another source. Connect the EXT 3.5 mm jack to a live Radio, Internet Radio, or other audio and the unit will play from that source mixed with the USB/SD, or remove the USB/SD and only the other audio will be amplified and used for MOH.

Modes of playback: 1 to 99 tracks, device plays all the tracks one by one and re-loops automatically, Silence any track by renaming it to **filename.ip3** instead of filename.mp3.

Single track

Multi track -----

USB flash drive / SD CARD:

SX8800P can accept 32MB to 8GB USB flash drives/ SD cards on the market. Up to 256 hours of continuously playing audio time can be obtained using a 4GB

Most SD cards have a lock that needs to be in unlock position (toward the edge) in case the card needs to be accessed by the computer.

You may just remove the USB / SD card, insert the new one & playback resumes or you may remove the power 1st update it from your PC/Laptop then insert back, re-connect the power and the playback automatically resumes in a few seconds.

Device will play from USB flash drive and then will play from SD card (if present)

Volume:

Turn the Volume control clock wise to increase the volume.
Turn the volume control counter clock wise to lower the volume.

SPEAKER:

Turn the speaker switch ON to hear audio from a speaker inside.
This is only for monitoring or testing the audio, the volume levels heard at this time are not the actual audio levels available to the MOH port, be sure to readjust the volume again when the calls are placed on Hold to ensure the proper and desired audio volume levels.

STATUS LED light:

The Status LED will turn ON **RED** solid when the device is powered ON and working.